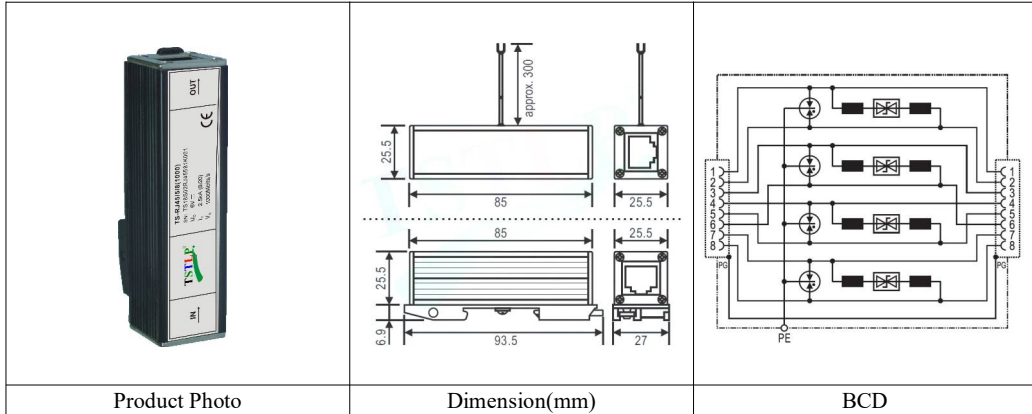




■ **TSTLP®/TS-RJ45/5/8(1000) Gigabit Ethernet Surge Arrester**

❖ **INTRODUCTION :** TS-RJ45/5/8(1000) is designed to protect network equipment from interruption caused by surge current according to IEC 61643-21 & GB 18802.21; Mainly used in Gigabit Ethernet ATM, Voip Networks & other signal line system, and computer network equipment and other signal control equipment. (e.g. Telecommunication, Server, Routers, Computers and so on).



❖ **TECHNICAL DATA**

Model		TS-RJ45/5/8(1000)
Nominal voltage	Un	5V-
Rated voltage (max. continuous voltage)	Uc	8V-
Nominal Current	IL	1A
Nominal discharge current (8/20)	In	2.5kA (line-line) 2.5kA (line-PG)
Max. discharge current (8/20)	Imax	10 kA(total)
Voltage protection level at In	Up	≤15V (line-line) ≤150V (line-PG)
capacitance	C	≤30pF (line-line) ≤25pF (line-PG)
Max. data transmission rates	Vs	1000 Mbits/s
Operating temperature range		-40°C...+80°C
Connection (input / output)		RJ45 shield socket
Pining		1/2, 3/6, 4/5, 7/8
Earthing via		Earthing screw
Mounting on		35mm DIN rail
Enclosure material		Aluminum
Standard		IEC 61643-21 & GB 18802.21
Compliance		CE(LVD,EMC & RoHS)

❖ **MAIN CHARACTER**

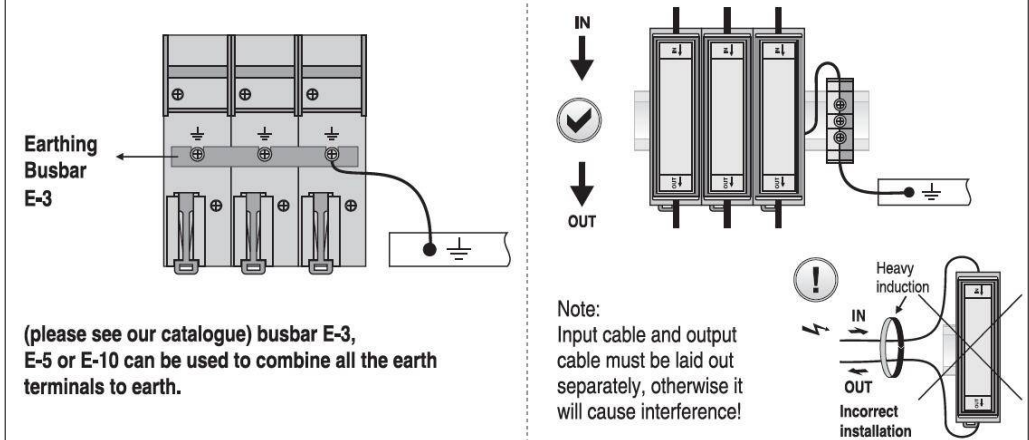
- ✓ For protecting computer data transmission system, network system and so on
- ✓ Good discharge capacity, low voltage protection level
- ✓ Quick response, high transmission speed, low signal attenuation
- ✓ RJ45 connection, easy for installation

**INSTALLATION INSTRUCTION**

1. This product is connected in series to the protected device.
2. Mount the SPD on 35 mm DIN rail.
3. The out terminal should be connected to the protected devices.
4. SPD's earthing terminal must be connected to nearby earthing BusBar or the metal earthing enclosure of protected device.

Regularly inspect the operating status, especially after lightning. Once the communication is off, electrician should check/replace the SPD.

**TS-RJ45/5/8 (1000) INSTALLATION DIAGRAM**



**WARNING:**

- The device must be installed by electrically skilled person, conforming to national standards and safety regulations.
- It is recommended that installation should be done under power off condition.